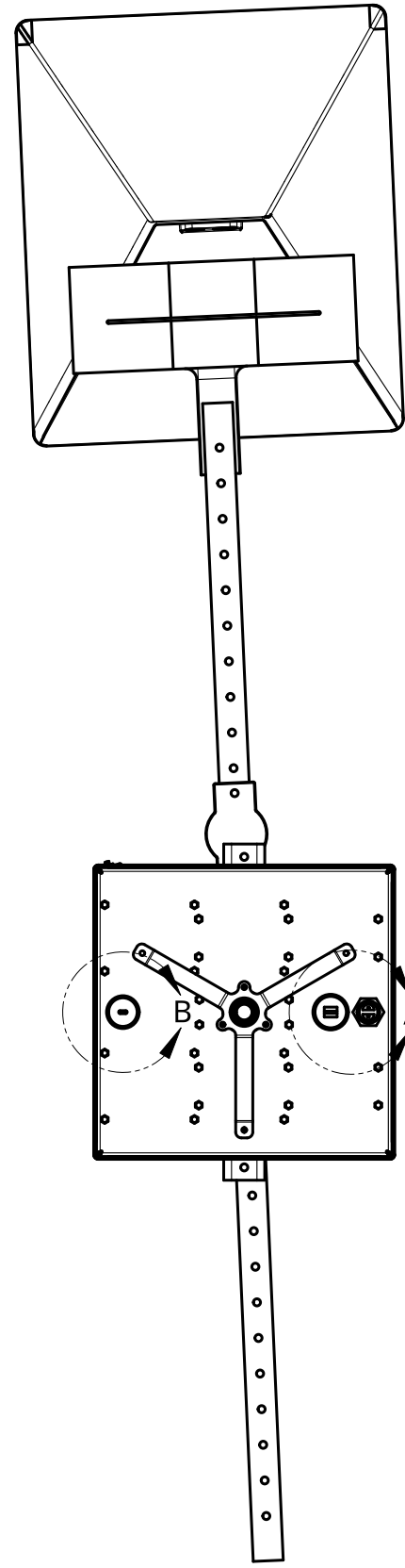


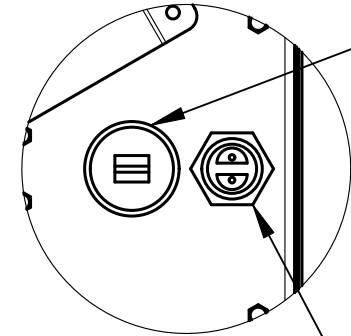
# URBAN SKY HUSKY BUS INTERFACE CONTROL DOCUMENT

## VERSION 0.1



BOTTOM VIEW

PAYLOAD POWER AND COMMUNICATIONS HERE

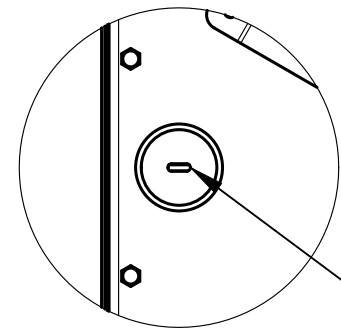


DETAIL A  
SCALE 1:2

CAT6 ETHERNET FOR CUSTOMER PAYLOAD

17V POWER OUTPUT FOR CUSTOMER PAYLOAD.  
CONNECTOR: CHOGORI 2150-1IC03622051301-ND

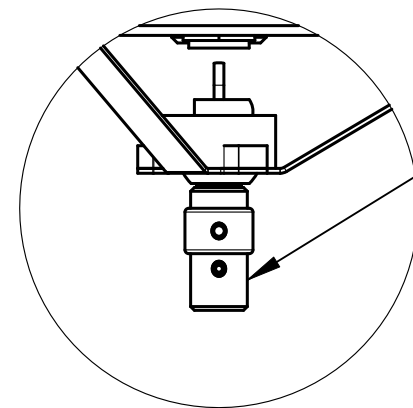
CHARGE BUS BATTERIES HERE



DETAIL B  
SCALE 1:2

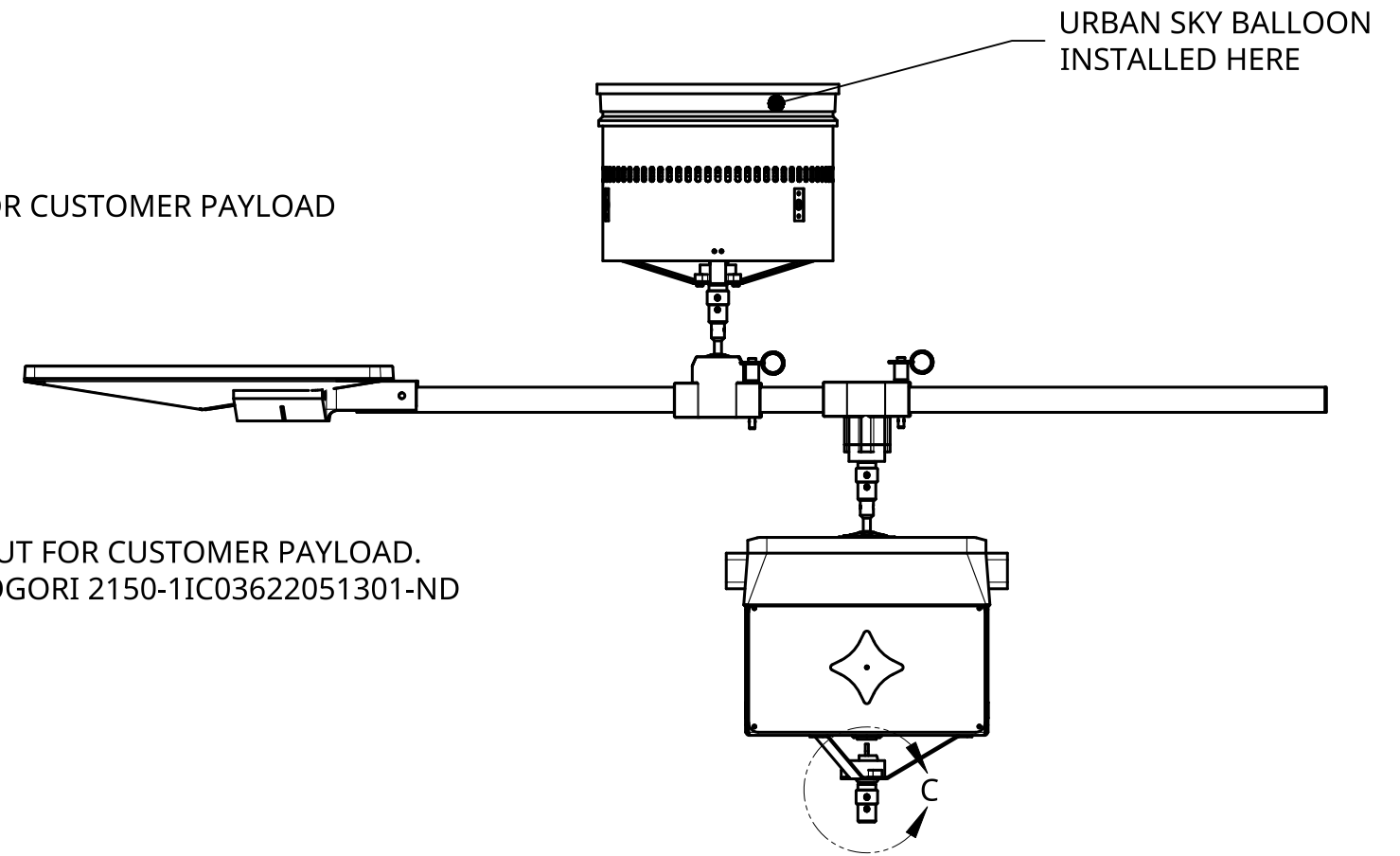
USB C FOR INTERNAL BATTERY CHARGING.  
USE PROVIDED CHARGER.

ATTACH PAYLOAD HERE



DETAIL C  
SCALE 1:2

STANDARD URBAN SKY QUICK DISCONNECT.  
ATTACH PAYLOAD HERE USING URBAN SKY P/N 4263 UNIVERSAL  
PAYLOAD MOUNT.  
FASTEN WITH EITHER M3 MACHINE SCREWS OR WITH M6 LOCNUT ON  
THREADED STUD.



URBAN SKY BALLOON  
INSTALLED HERE

	DO NOT SCALE DRAWING	UNLESS OTHERWISE SPECIFIED, DIMENSIONS ARE IN MILLIMETERS. UNDIMENSIONED FEATURES CONTROLLED BY MODEL, ±.25
	BREAK ALL SHARP EDGES AND REMOVE BURRS	LINEAR: X ±1 [.04"] X.X ±.5 [.02"] X.XX ±.13 [.005"]
THIRD ANGLE PROJECTION	MATERIAL	FINISH
	N/A	

TITLE		HUSKY BUS	
SIZE	DWG NO.	REV.	
A3	DRW-	001	
SCALE	WEIGHT	SHEET	1 of 1
1:4			